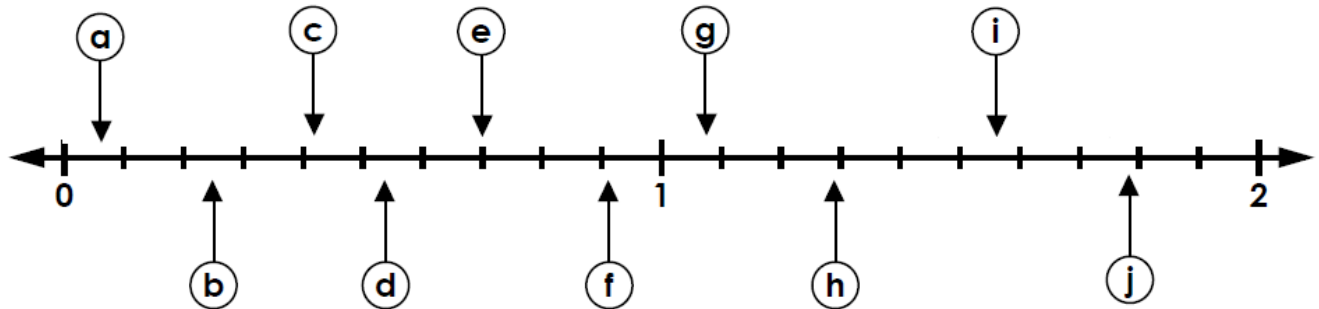


Reading decimal position on a number line: Hundredths: Worksheet 7.1

Name Date Score



Write the correct letter on the blank space next to each decimal.

1.	0.25:	
2.	0.92:	
3.	0.06:	
4.	1.28:	
5.	0.54:	
6.	0.70:	
7.	0.42:	
8.	1.78:	
9.	1.57:	
10.	1.08:	



Solutions: Worksheet 7.1

1.	b
2.	f
3.	a
4.	h
5.	d
6.	e
7.	c
8.	j
9.	i
10.	g

